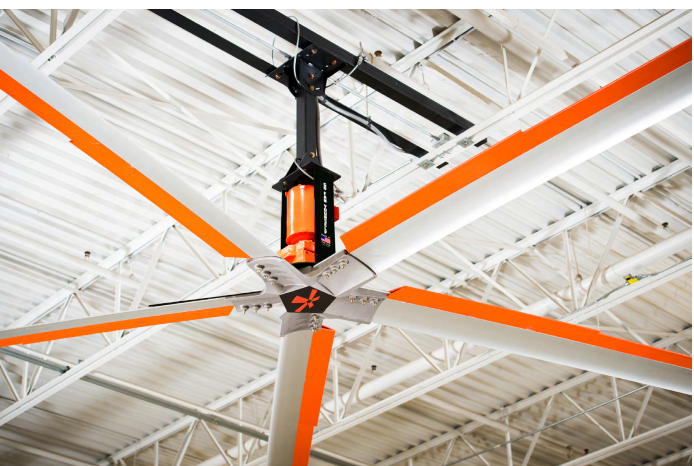




Scan me

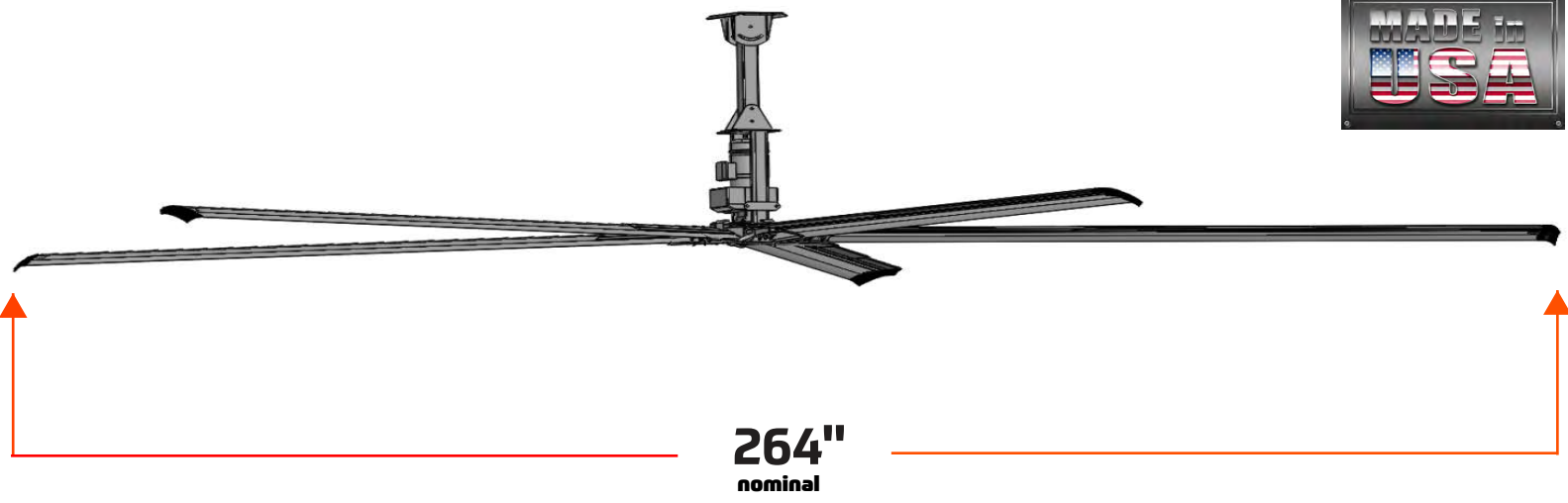
22 FT NOM



- Part NumberGFY-Z-22-xxxV
- Weight 385 lbs
- Nominal Motor..... 2 HP
- Nominal Amps3.5 A
- Nominal Rotations Per Minute.....56
- Maximum Diameterup to 220 ft - Destratification
- Noise LevelIndustry Standard Low

Warranty Information:
 Motor, Gearbox, & Control Panel15 Year*
 Blades, Hub & Mounting SystemLifetime*

**Please see Z-Tech™ Fan Manual for warranty specifications /exclusions (prorated/limited)*



GFY's stepped, symmetrical blade creates an advanced form of venting which increases air displacement over all conventional airfoil designs

Cast aluminum hub provides full surface blade support and Z-Tech™ SS safety system makes GFY the safest fan on the market



22 FT_{NOM}

General

BladePatented Z-Tech™
 Number of Blades5

Construction

FramePainted Steel Frame

HubCast Aluminum

BladesExtruded Aluminum
 Blade Leading Edge.....ABS
 Blade End Caps ABS
 Blade Leading Edge Color GFY Orange

Design Your OwnOptional Colors & Designs

Safety Components

Safety Ring 1/4" Powder Coated Steel

Z-Tech™SS Safety System

Includes (4) Individual Straps Break Strength..... 16,000lbs

Mounting Hardware

Standard Mount Universal I-Beam Clamp

Down Tube..... 1ft Std. Optional Lengths to 10ft

Gear Motor

Insulation ClassH 140° F Max Ambient Temp

HP2.0 HP (50 Hz / 60 Hz)

Volts.....1 phase - 200-240V

.....3 phase - 200-240V or 380-480V

Nominal Amps Consumed1 Phase - 15.0A@240V

.....3 Phase - 7.50A@208V

- 7.00A@230V

- 3.50A@460V

GFY VFD Controller
 200-240V & 380-480V
 3 Phase



ABB ACS355 VFD

GFY VFD Controller
 200-240V 1 Phase



ABB ACS255 VFD



Fan Control **ROHS**
 COMPLIANT

Enclosure ABB Variable Frequency Drive - Nema 4X (IP66)

Standard Power200-240V or 380-480V 3 Phase

Special Wiring (Thermostats, Fire Alarm Interface, Networking, Etc.) (Optional) Consult Factory.

50 / 60 Hz Operation.

All GFY Controls ship standard with an ESFR relay ready to connect to existing fire suppression systems.

GFY Z-Tech™ Fan Controls ship standard with an integral LOTO disconnect.