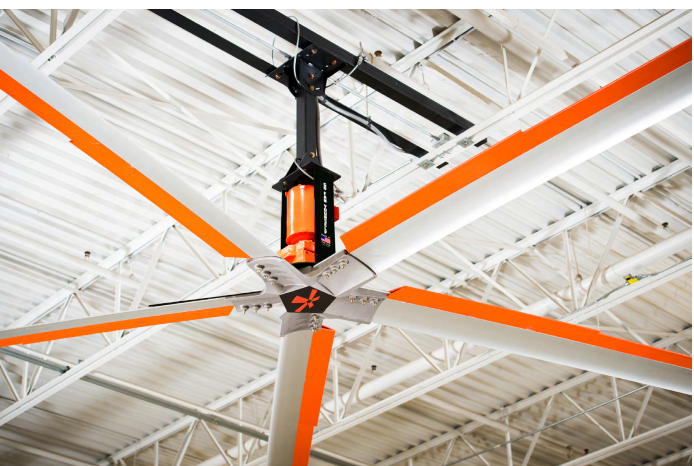




Scan me

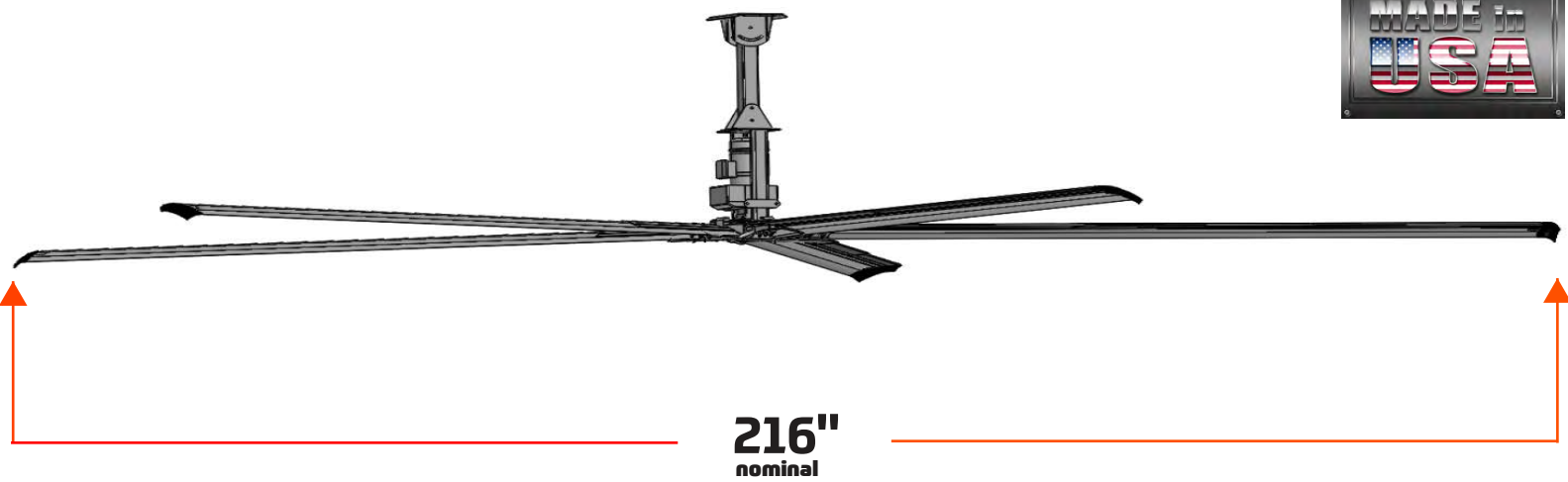
**18 FT** NOM



- Part Number .....GFY-Z-18-xxxV
- Weight ..... 335 lbs
- Nominal Motor..... 2 HP
- Nominal Amps .....3.5 A
- Nominal Rotations Per Minute.....76
- Maximum Diameter .....up to 180 ft - Destratification
- Noise Level .....Industry Standard Low

**Warranty Information:**  
 Motor, Gearbox, & Control Panel .....15 Year\*  
 Blades, Hub & Mounting System .....Lifetime\*

*\*Please see Z-Tech™ Fan Manual for warranty specifications /exclusions (prorated/limited)*



GFY's stepped, symmetrical blade creates an advanced form of venting which increases air displacement over all conventional airfoil designs

Cast aluminum hub provides full surface blade support and Z-Tech™ SS safety system makes GFY the safest fan on the market



**18 FT.** NOM

**General**

Blade .....Patented Z-Tech™  
 Number of Blades .....5

**Construction**

Frame .....Painted Steel Frame

Hub .....Cast Aluminum

Blades .....Extruded Aluminum  
 Blade Leading Edge.....ABS  
 Blade End Caps ..... ABS  
 Blade Leading Edge Color ..... GFY Orange

**Design Your Own** .....Optional Colors & Designs

**Safety Components**

Safety Ring ..... 1/4" Powder Coated Steel

**Z-Tech™SS Safety System**

Includes (4) Individual Straps Break Strength..... 16,000lbs

**Mounting Hardware**

Standard Mount ..... Universal I-Beam Clamp

Down Tube..... 1ft Std. Optional Lengths to 10ft

**Gear Motor**

Insulation Class .....H 140° F Max Ambient Temp

HP .....2.0 HP (50 Hz / 60 Hz)

Volts.....1 phase - 200-240V

.....3 phase - 200-240V or 380-480V

Nominal Amps Consumed .....1 Phase - 15.0A@240V

.....3 Phase - 7.50A@208V

- 7.00A@230V

- 3.50A@460V

GFY VFD Controller  
 200-240V & 380-480V  
 3 Phase



GFY VFD Controller  
 200-240V 1 Phase



**Fan Control** **ROHS**  
 COMPLIANT

Enclosure ..... ABB Variable Frequency Drive - Nema 4X (IP66)

Standard Power .....200-240V or 380-480V 3 Phase

Special Wiring (Thermostats, Fire Alarm Interface, Networking, Etc.) (Optional) Consult Factory.

50 / 60 Hz Operation.

All GFY Controls ship standard with an ESFR relay ready to connect to existing fire suppression systems.

GFY Z-Tech™ Fan Controls ship standard with an integral LOTO disconnect.